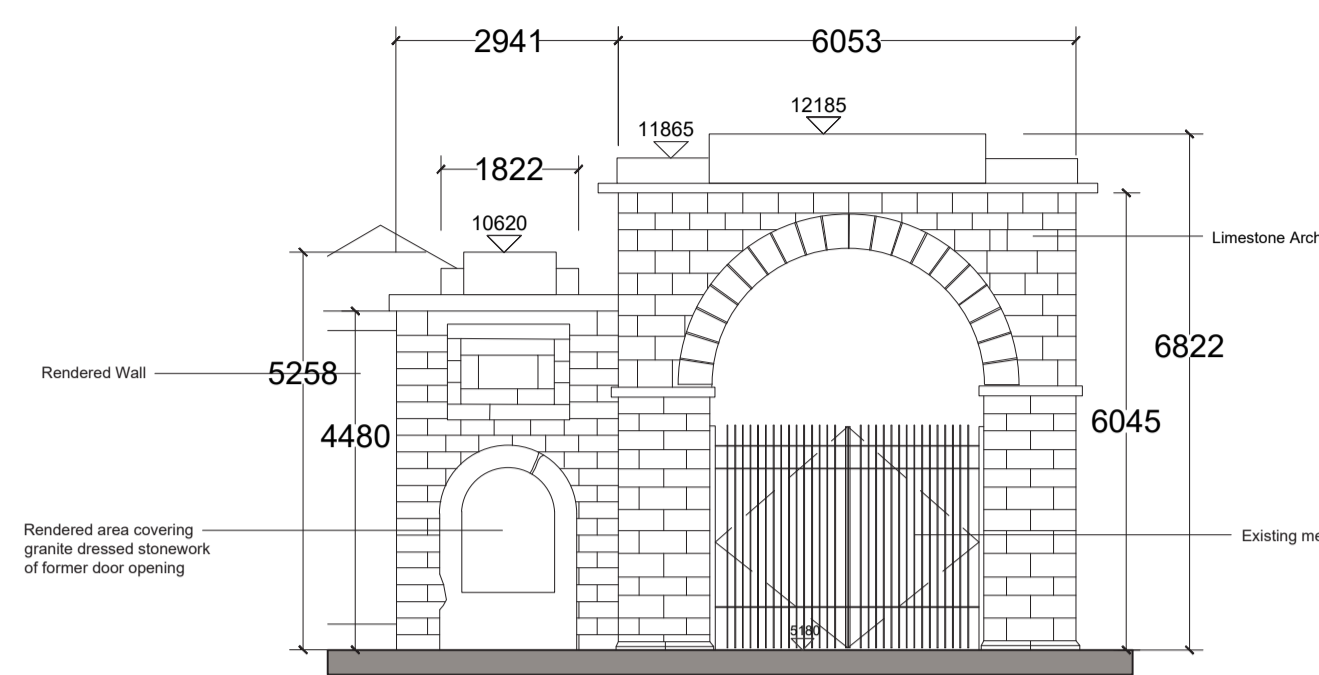
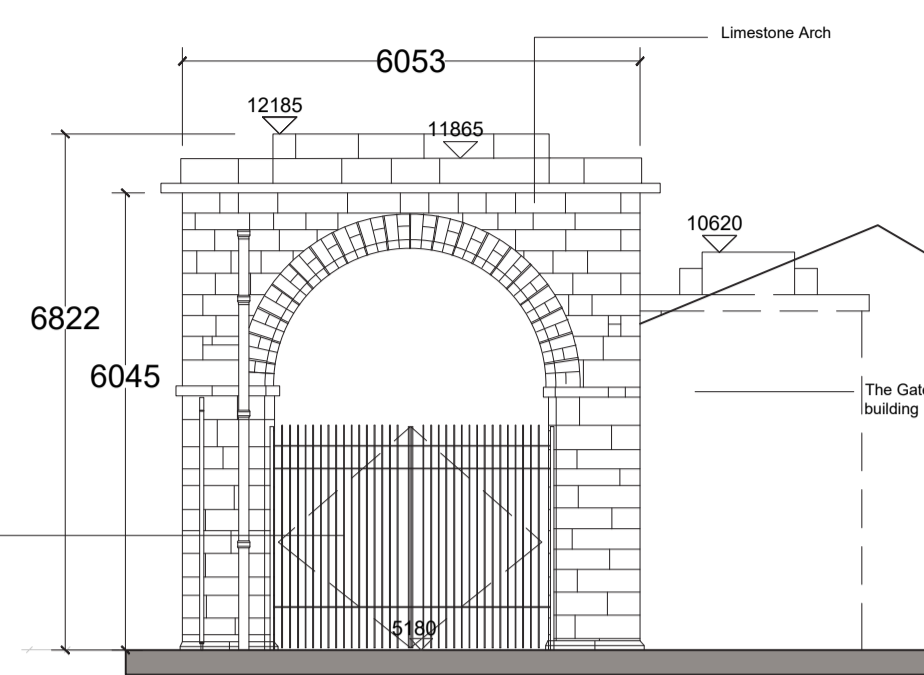


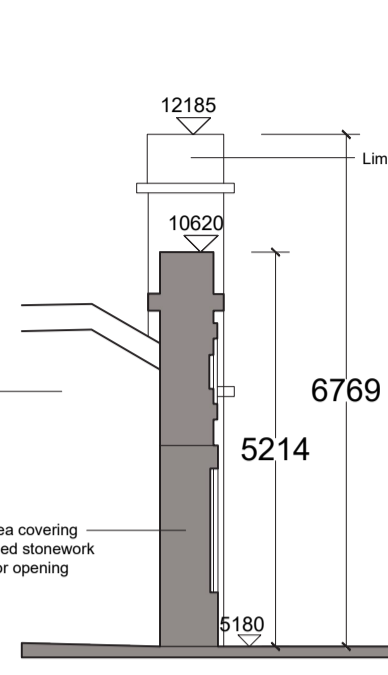
EXISTING



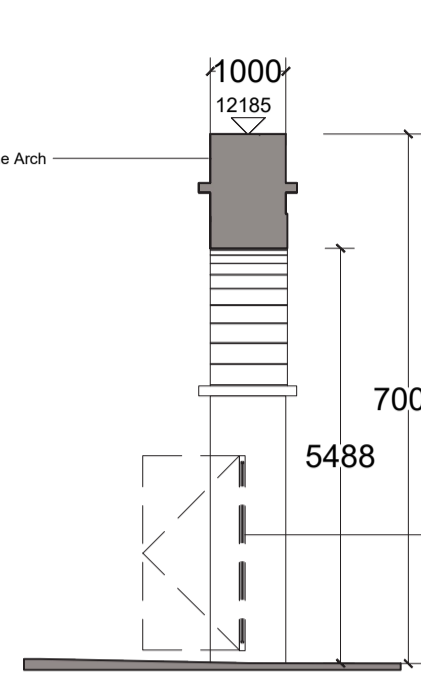
Existing Arch North Elevation
1:100



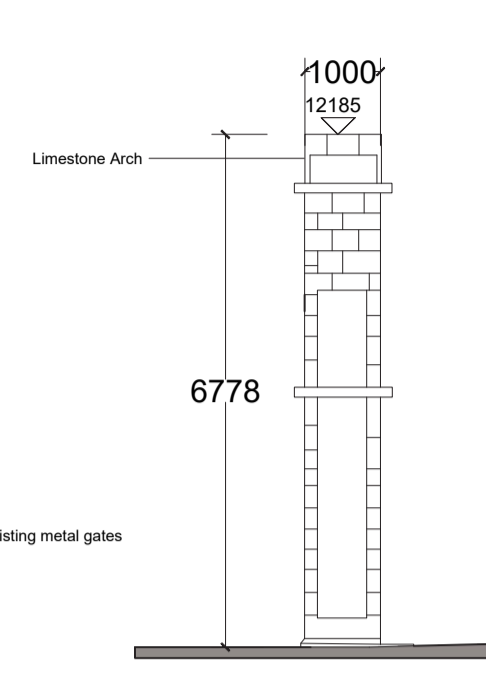
Existing Arch South Elevation
1:100



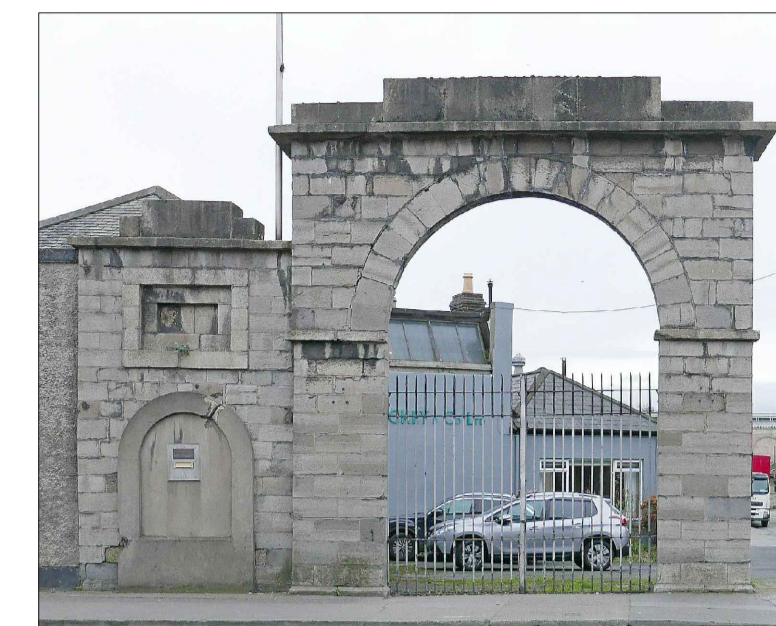
Existing Arch Section A
1:100



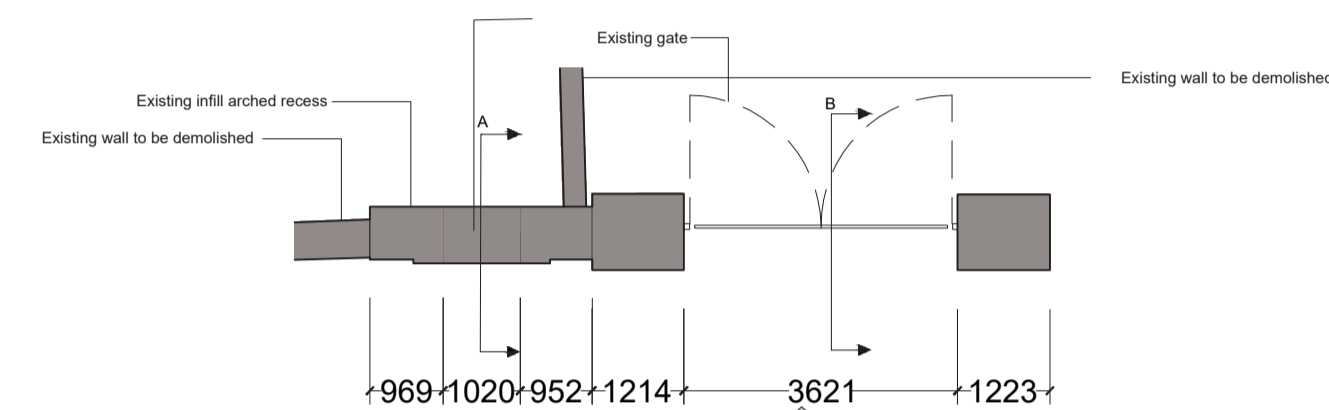
Existing Arch Section B
1:100



Existing Arch Elevation West
1:100



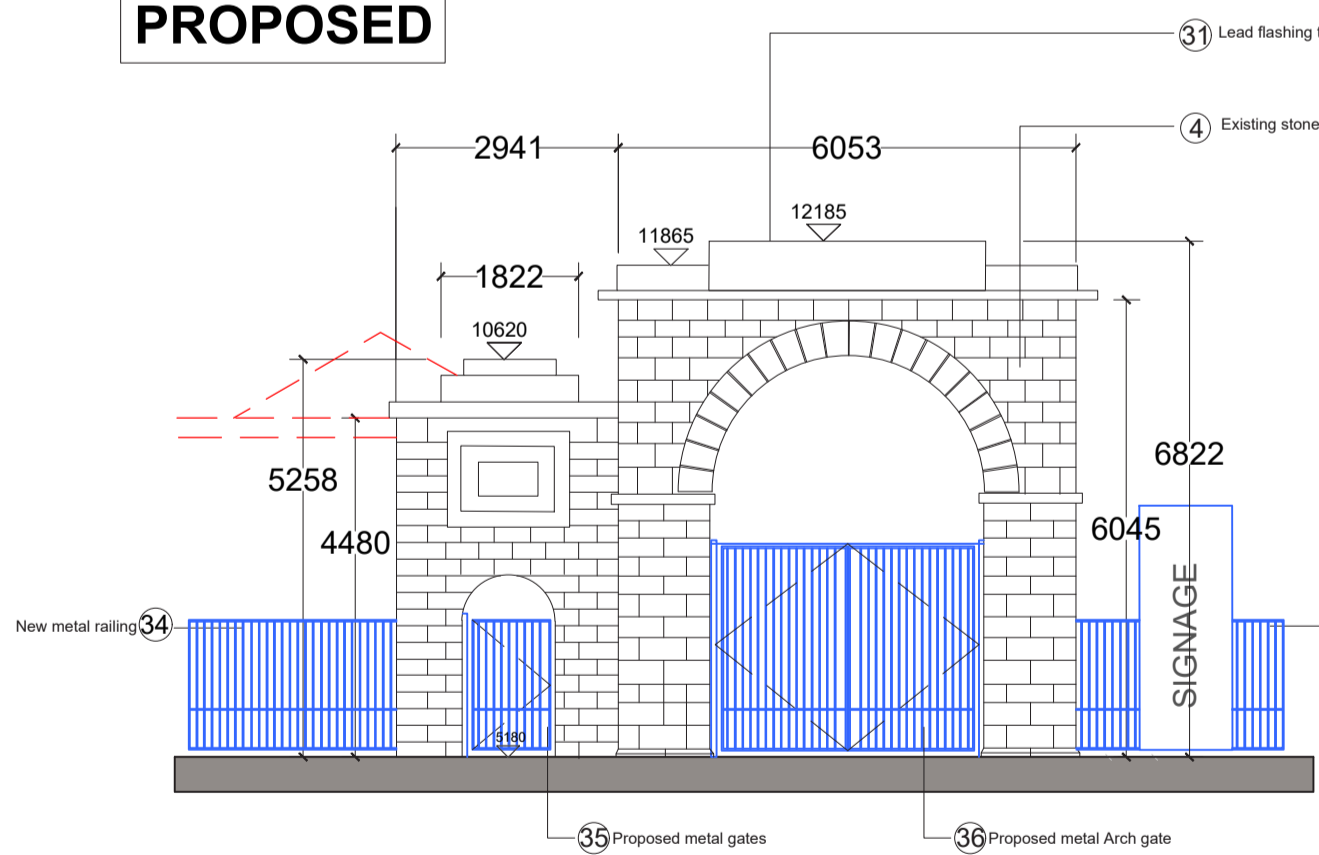
Existing Photo of Arch looking North from Parkgate St.



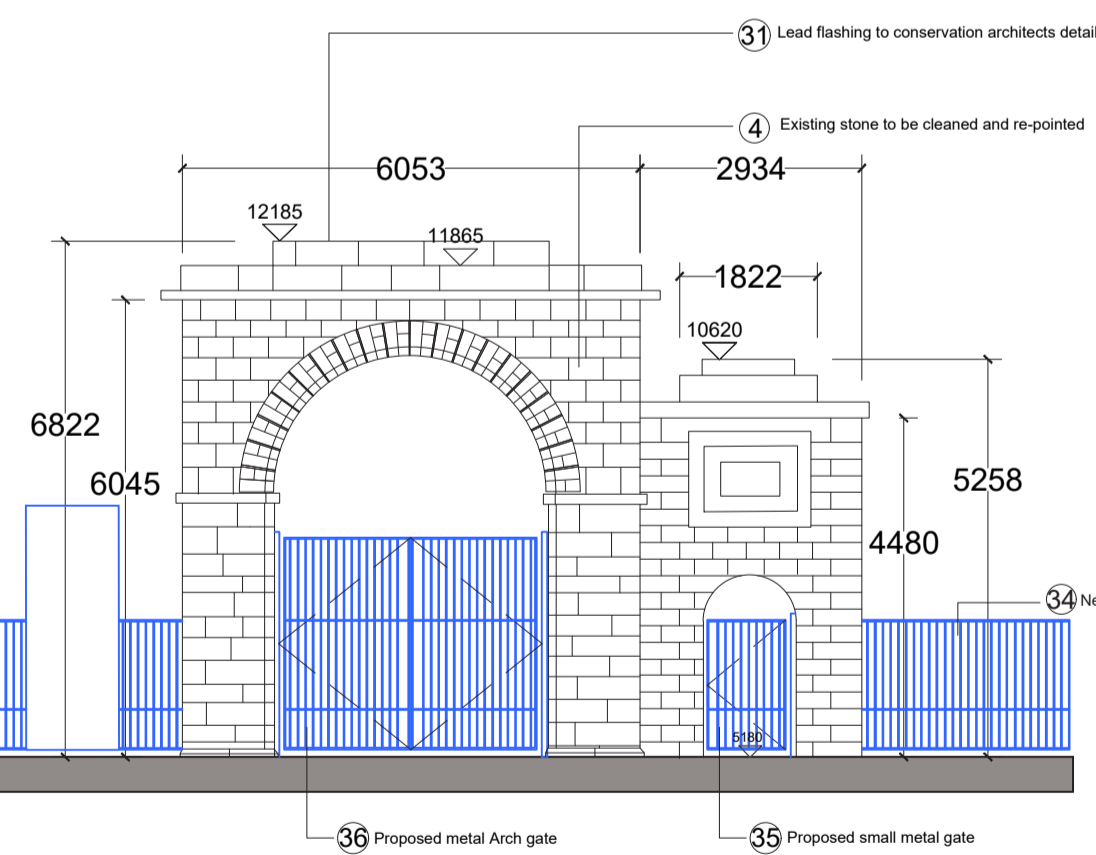
Existing Arch Plan
1:100

Notes:
 - Existing archway to be reinstated as original build complying with conservation architects records.
 - Dimension shown in the drawing are approximate, final dimension subject to verification by conservation architect.
 - All individual stone to be surveyed and numbered prior to dismantling on site and re-built according to conservation architects instructions

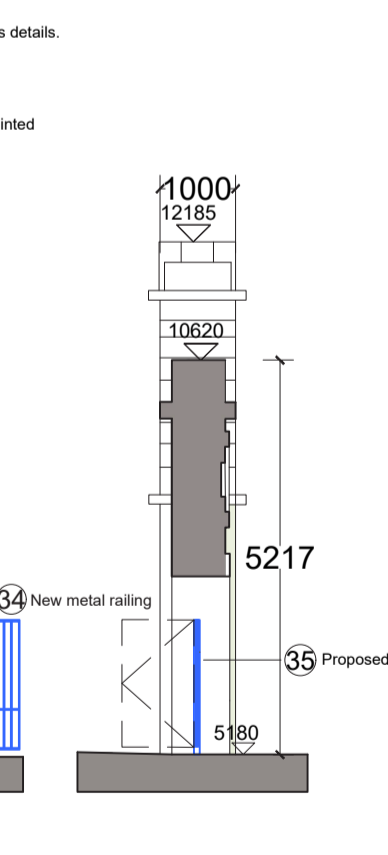
PROPOSED



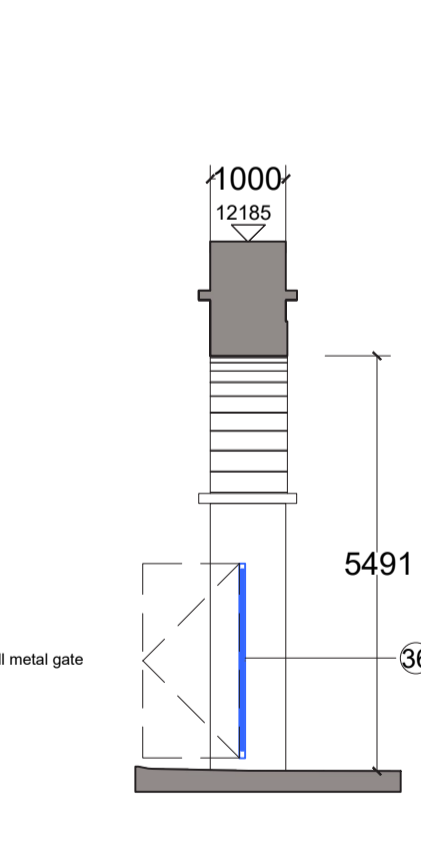
Proposed Arch North Elevation
1:100



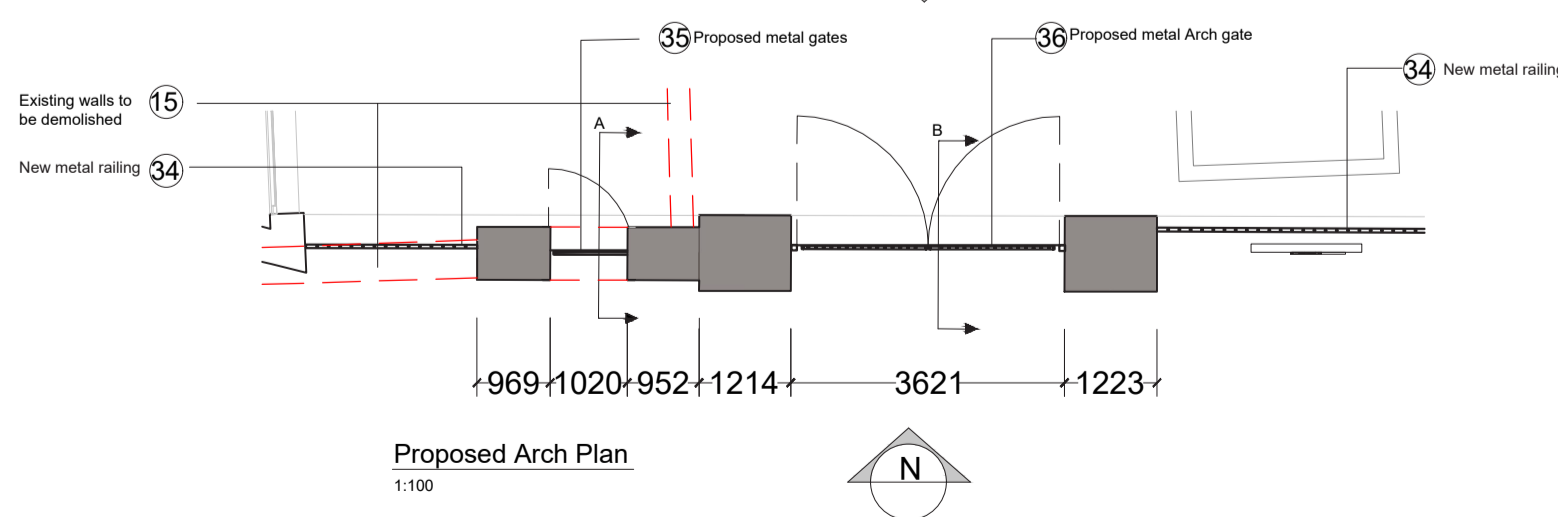
Proposed Arch South Elevation
1:100



Proposed Arch Section A
1:100



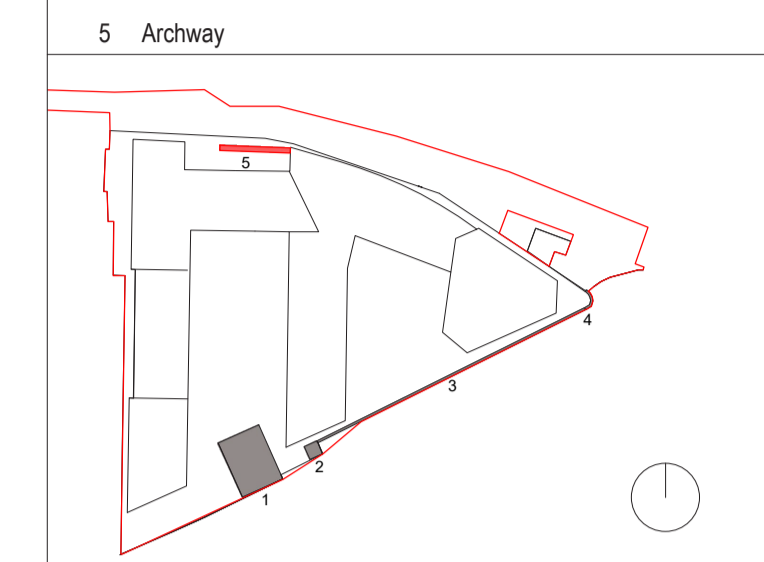
Proposed Arch Section B
1:100



Proposed Arch Plan
1:100

Notes:
 DO NOT SCALE FROM THIS DRAWING. USE FIGURED DIMENSIONS IN ALL CASES. VERIFY DIMENSIONS ON SITE AND REPORT ANY DISCREPANCIES TO THE ARCHITECTS IMMEDIATELY. THIS DRAWING TO BE READ IN CONJUNCTION WITH THE ARCHITECTS SPECIFICATION. © THIS DRAWING IS COPYRIGHT AND MAY ONLY BE REPRODUCED WITH THE ARCHITECTS PERMISSION.

OSI License Number - AR 002219
 Projection | Spatial Reference
 Projection: BGNES, Unit: Transverse_Mercator
 Centre Point Coordinates:
 X: 71307.869; Y: 3463.246
 Reference Index:
 Map Series | Map Sheets
 1:1000 | 3263-02
 1:1000 | 3263-08
 1:1000 | 3263-07
 1:1000 | 3263-03
 Vertical Datum:
 Mean Sea Level



5 Archway

PLANNING LEGEND

SYMBOL	DESCRIPTION
[Red dashed line]	SITE BOUNDARY LINE
[Grey solid area]	EXISTING STRUCTURES
[Blue hatched area]	PROPOSED STRUCTURES
[Red dashed line]	PROPOSED DEMOLITION
[Blue solid area]	PROPOSED WORKS
[Blue dashed line]	PROPOSED OUTLINE
[FL symbol]	EXISTING FLOOR LEVEL
[FL symbol]	PROPOSED FLOOR LEVEL

All works to retained structures shall be carried out to comply with conservation best practice. Due regard shall be had to the Architectural Heritage Protection Guidelines and to the Advice Series prepared by the Architectural Heritage Advisory unit of the Department of Culture Heritage and the Gaeltacht.

The overhaul, repair and reinstatement of any historic joinery or plasterwork to be retained shall be carried out by Specialised Contractors with appropriate experience in carrying out such works in important historic buildings, structures and contexts.

It is the intention of all overhaul, repair and reinstatement works to retain historic fabric where practicable, carrying out repair and refurbishment wherever possible and replacement only where absolutely necessary.

P02 | 29.11.24 | EOB | Planning

Rev	Date	DRN	Description
Reddy Architecture + Urbanism Darry Road Dublin 6, D06 Y0E3 T: +353 (0)1 4967000 W: www.reddyarchitecture.com E: info@reddyarchitecture.com			

Client Details:
Ruiside Developments Ltd.

Project Details:
PGATE
42 A PARKGATE STREET, DUBLIN 8

Drawing Title:
Parkgate St. Arch

Job No P24-216D	Date 29.11.24	Scale@A1 1:100
Status Planning	Drawn By: M. McGuire	
Purpose Planning Permission	Checked By: E. O'Brien	
Drawing Number PGATE-RAU-ZZ-ZZ-DR-A-HTG-31139	Revision P02	